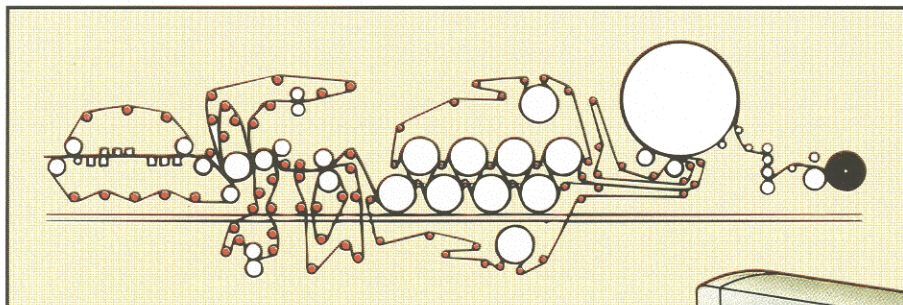
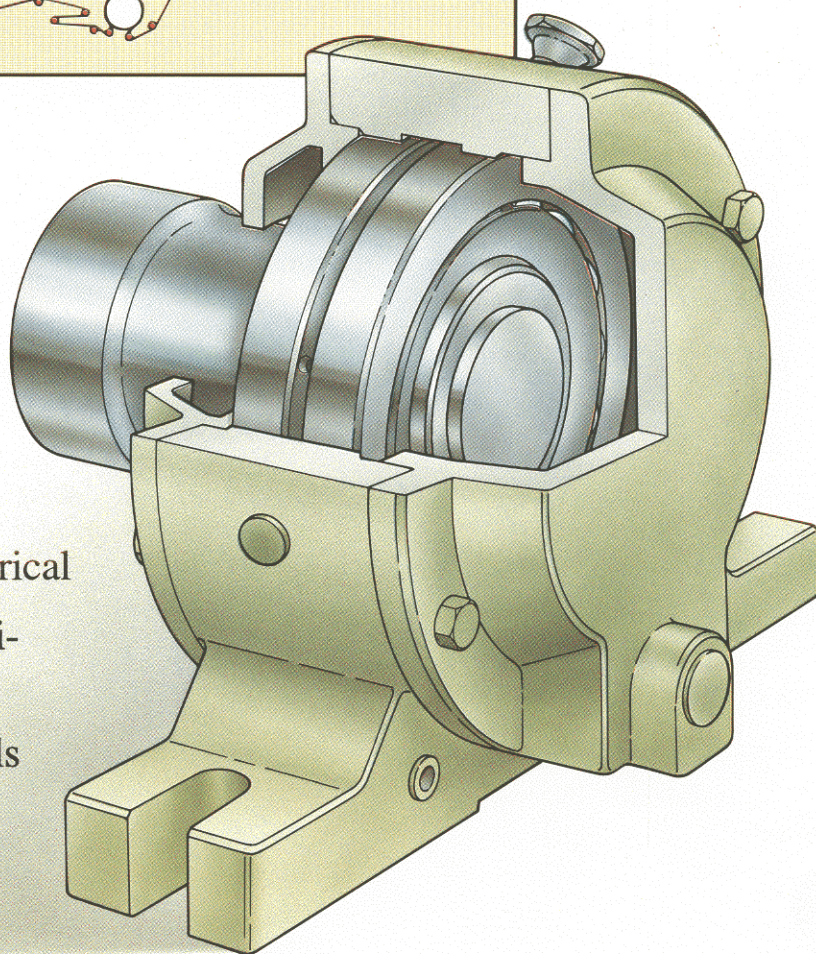


# *Housings for felt-roll bearings*



- Designed for high flow circulating oil lubrication
- Housings can be mounted horizontally, vertically and upside down ( $0^\circ$ ,  $90^\circ$ ,  $180^\circ$  and  $270^\circ$ )
- Housings are symmetrical
- Connections for conditioning monitoring
- Maintenance-free seals



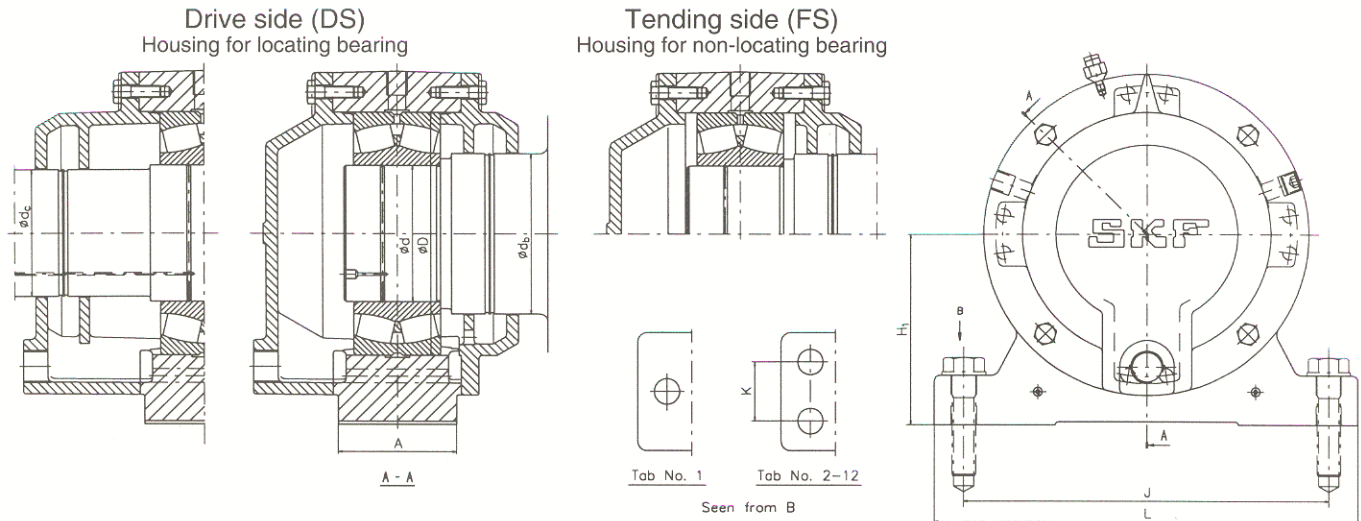
---

**SKF**



# Felt roll housings for the dryer section

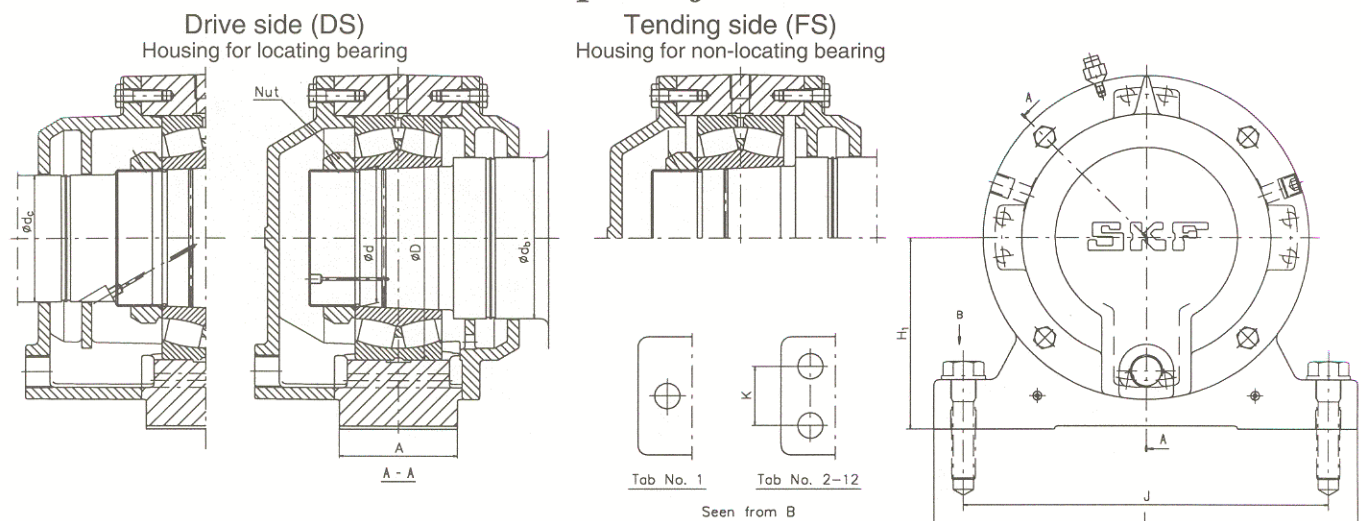
## Cylindrical journal



Tab no.	Basic housing designation	BEARING			SHAFT			HOUSING			
		Designation	d	$d_b$	$d_c$	A	D	H	J	K	L
1	SBF 2312	22312 E/C3	60	75	55	70	130	110	235	—	280
2	SBF 2316	22316 E/C3	80	100	70	90	170	135	285	44	340
3	SBF 2219	22219 E/C3	95	110	85	90	170	135	285	44	340
4	SBF 2320	22320 E/C3	100	135	90	105	215	175	330	52	390
5	SBF 2224	22224 E/C3	120	140	110	105	215	175	330	52	390
6	SBF 3224	23224 CC/C3W33	120	140	110	105	215	175	330	52	390
7	SBF 2228	22228 CC/C3W33	140	165	130	120	250	195	370	60	430
8	SBF 3228	23228 CC/C3W33	140	165	130	120	250	195	370	60	430
9	SBF 2232	22232 CC/C3W33	160	190	150	135	290	225	430	70	500
10	SBF 3232	23232 CC/C3W33	160	190	150	135	290	225	430	70	500
11	SBF 2236	22236 CC/C3W33	180	210	170	150	320	250	480	75	570
12	SBF 3236	23236 CC/C3W33	180	210	170	150	320	250	480	75	570

# Felt roll housings for the dryer section

## Tapered journal



Tab no.	Basic housing designation	BEARING		THREAD DESIGN STANDARD		THREAD DESIGN N9		SHAFT		HOUSING			
		Designation	d	Lock nut	Lock nut	$d_b$	$d_c$	A	D	H	J	K	L
1	SBF 2312	22312 EK/C3	60	KMT 12/VZ427	N 12	75	55	70	130	110	235	—	280
2	SBF 2316	22316 EK/C3	80	KMT 16/VZ427	AN 16	100	70	90	170	135	285	44	340
3	SBF 2219	22219 EK/C3	95	KMT 19/VZ427	AN 19	110	85	90	170	135	285	44	340
4	SBF 2320	22320 EK/C3	100	KMT 20	AN 20	135	90	105	215	175	330	52	390
5	SBF 2224	22224 EK/C3	120	KMT 24/VZ427	AN 24	140	110	105	215	175	330	52	390
6	SBF 3224	23224 CCK/C3W33	120	KMT 24/VZ427	AN 24	140	110	105	215	175	330	52	390
7	SBF 2228	22228 CCK/C3W33	140	KMT 28	AN 28	165	130	120	250	195	370	60	430
8	SBF 3228	23228 CCK/C3W33	140	KMT 28	AN 28	165	130	120	250	195	370	60	430
9	SBF 2232	22232 CCK/C3W33	160	KMT 32	AN 32	190	150	135	290	225	430	70	500
10	SBF 3232	23232 CCK/C3W33	160	KMT 32	AN 32	190	150	135	290	225	430	70	500
11	SBF 2236	22236 CCK/C3W33	180	KMT 36	AN 36	210	170	150	320	250	480	75	570
12	SBF 3236	23236 CCK/C3W33	180	KMT 36	AN 36	210	170	150	320	250	480	75	570