

“SX”

Universal screw

Rolled thread ball screw internal recirculation nut with threaded end.

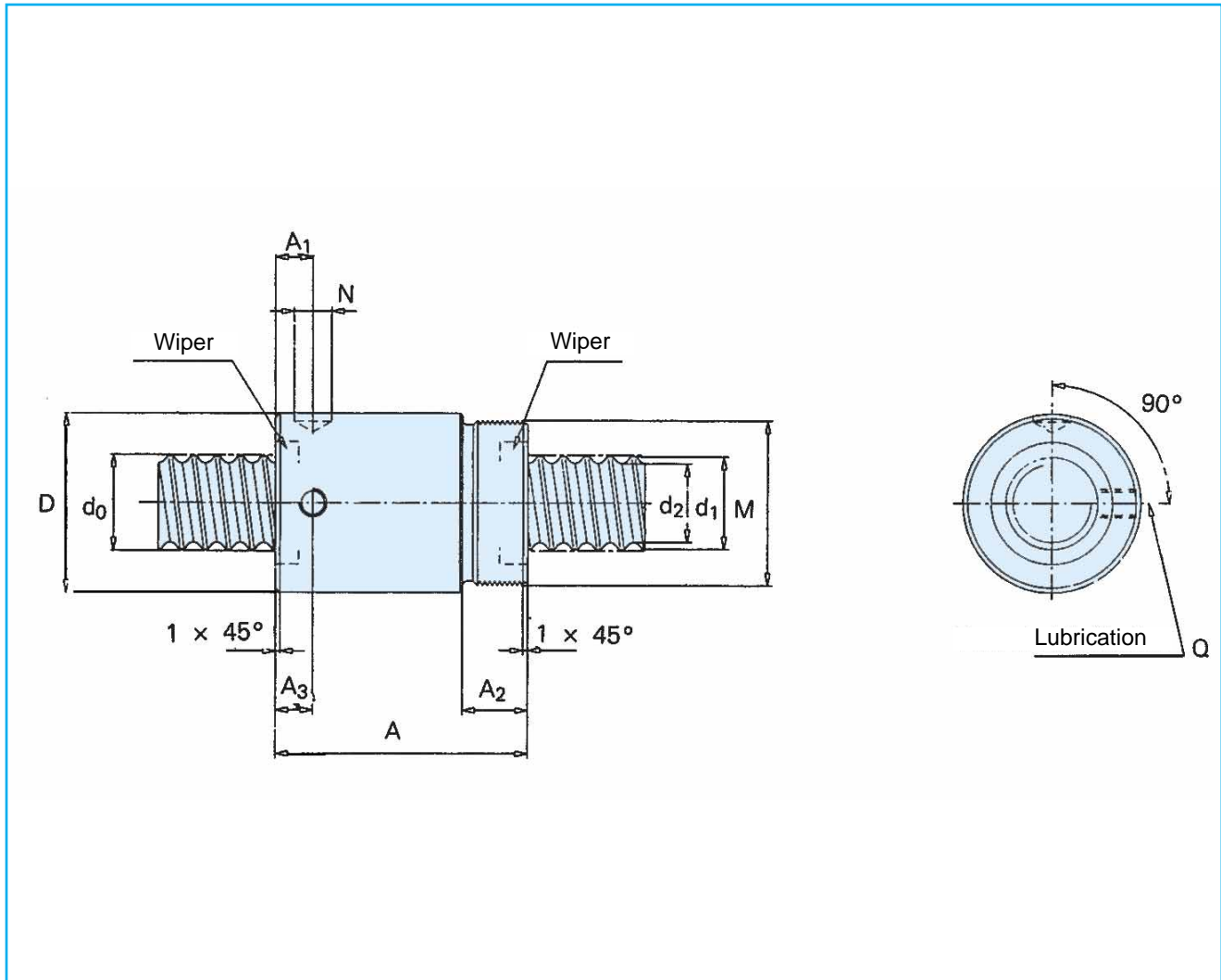
- standard version : composite inserts
- special version : steel inserts which can act as a safety device for severe requirements. Contact us.



- Nominal diameter 20 to 80 mm
- Lead 5 to 20 mm
- Cylindrical body of minimum diameter to simplify assembly
- Handling screw : nut with axial play
- Screw shaft can be phosphated on request
- Wipers available
- Nut mounting flanges available
- Screw shaft accessories : FLBU - PLBU & BUF off the shelves (see pages 26 to 31)

Technical data

Nominal diameter	Right hand lead	Length maximum	Basic load ratings		Number of circuits of balls	Maximum axial play	Reduced maximum axial play (on request)	Mass of nut	Mass of screw shaft	Inertia of one metre of screw shaft	Designation
			dynamic	static							
d_0	P_h		C_a	C_{0a}							
mm	mm	mm	kN		—	mm		kg	kg/m	kgmm ²	—
20	5	5000	11,7	24,4	4	0,10	0,05	0,27	2,0	85	SX 20 x 5 R
25	5	5000	15,6	37,8	5	0,10	0,05	0,49	3,3	224	SX 25 x 5 R
25	10	5000	20,8	43,9	4	0,12	0,08	0,56	3,2	255	SX 25 x 10 R
32	5	6000	17,8	50,4	5	0,10	0,05	0,55	5,6	641	SX 32 x 5 R
32	10	6000	36,8	77,6	4	0,12	0,08	0,80	5,2	550	SX 32 x 10 R
40	5	6000	19,5	63,1	5	0,10	0,05	0,66	9,0	1639	SX 40 x 5 R
40	10	6000	51,3	127,2	5	0,12	0,08	1,35	8,4	1437	SX 40 x 10 R
50	10	6000	66,1	189	6	0,12	0,08	2,10	13,6	3736	SX 50 x 10 R
63	10	6000	74	243,2	6	0,12	0,08	2,90	22	9913	SX 63 x 10 R
80	20	5500	164,7	483,5	6	0,15	0,08	9,10	32	20800	SX 80 x 20 R



Designation	Screw shaft		Nut		A	A ₂	Lubrication hole		Tightening spanner	N	A ₁	
	d ₂	d ₁	D js13	M 6g			Q	A ₃				
	mm										—	mm
SX 20 x 5 R	16,7	19,4	38	M35 x 1,5	54	14	M6 x 1	8	HN5	8	8	
SX 25 x 5 R	21,7	24,6	43	M40 x 1,5	69	19	M6 x 1	8	HN6	8	8	
SX 25 x 10 R	20,5	24,6	43	M40 x 1,5	87	19	M6 x 1	15	HN6	8	15	
SX 32 x 5 R	28,7	31,6	52	M48 x 1,5	69	19	M6 x 1	8	HN7	8	8	
SX 32 x 10 R	26	31,5	54	M48 x 1,5	95	19	M6 x 1	15	HN7	8	15	
SX 40 x 5 R	36,7	39,6	60	M56 x 1,5	69	19	M6 x 1	8	HN9	8	8	
SX 40 x 10 R	34	39,4	65	M60 x 2	110	24	M8 x 1	15	HN9	8	15	
SX 50 x 10 R	44	49,7	78	M72 x 2	135	29	M8 x 1	15	HN12	8	15	
SX 63 x 10 R	57	62,8	93	M85 x 2	135	29	M8 x 1	15	HN14	8	15	
SX 80 x 20 R	66,9	76,9	120	M110 x 2	226	39	M8 x 1	33	HN18	8 (2x)	25	

Designation : see page 36